

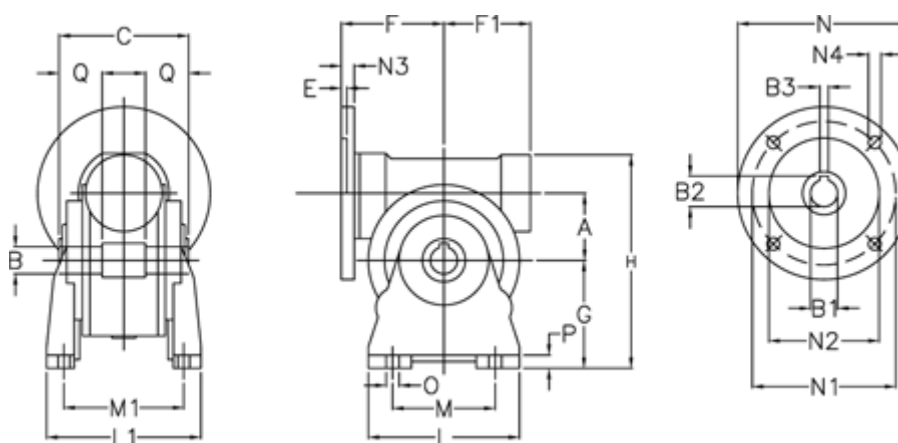
# Data Sheet



Article number: 3902185015255

Description: Worm gear  
VF 185-A-15-160B5, without lubrication

## Measures



|       |         |    |       |    |       |
|-------|---------|----|-------|----|-------|
| A     | = 185.4 | F1 | = 205 | N1 | = 300 |
| B     | = 60 H7 | G  | = 254 | N2 | = 250 |
| B1 E7 | = 42    | H  | = 457 | N3 | = 18  |
| B2    | = 45.3  | L  | = 360 | N4 | = 18  |
| B3 H9 | = 12    | L1 | = 320 | O  | = 22  |
| C     | = 190   | M  | = 270 | P  | = 22  |
| E     | = 4     | M1 | = 251 | Q  | = 65  |
| F     | = 217   | N  | = 350 |    |       |